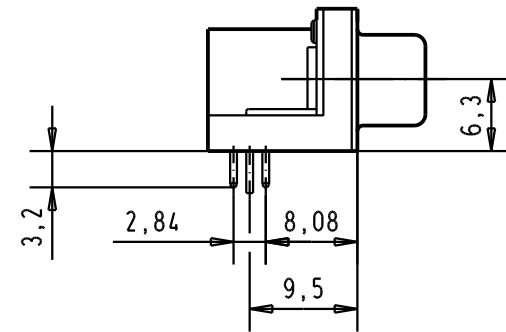
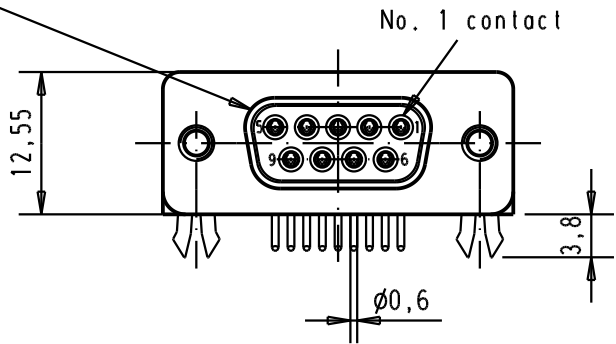
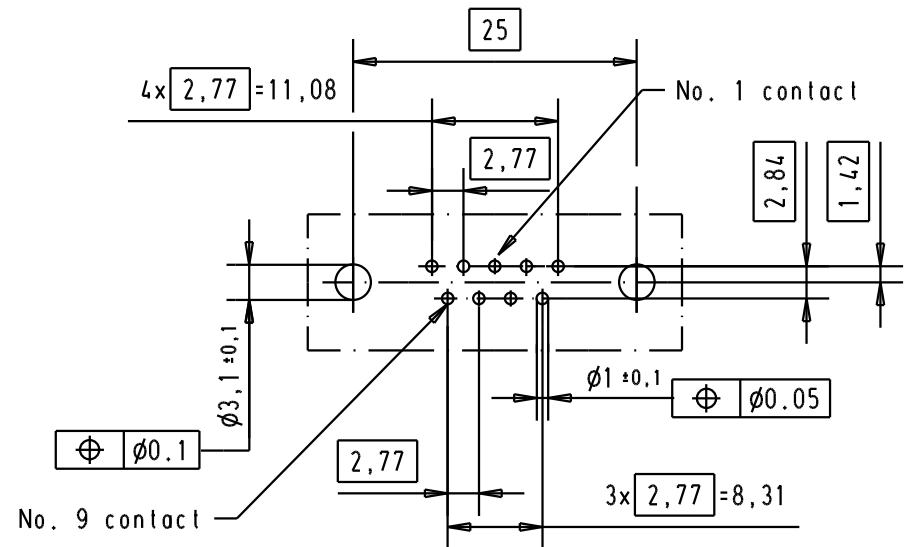
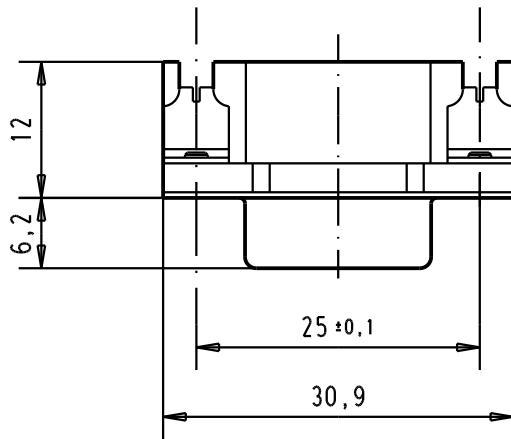


Mating face according to MIL-C-24308 / DIN 41 652 / CECC 75301-802





Printed board layout (1,6±0,2 thick)
View component side



Connector insertion force on PCB = maxi 80 N

A

						Dat.	Name	 All Dim. in mm Orig. Size DIN A 4	D-Sub female connector, US Footprint, 9 poles with solder pins, nuts and grounding board lock	Maßstab/ Scale 1,5:1	
						Detail.	28-FEB-02				CV
						Insp.					
						Stand.					
09 68 153 7611	M3	3									
09 68 153 5611	M3	0,76 µm Au									
09 68 153 7612	4-40 UNC	3	32121	28-JUN-04	TR	HARTING EURL F-95972 Paris					
09 68 153 5612	4-40 UNC	0,76 µm Au	29751	28-FEB-01	CV						
Part number	nut thread	Performance level	Mod.	Dat.	Name	 TB 09 68 153 X61X Sub.			Blatt/ Page 1 /		